

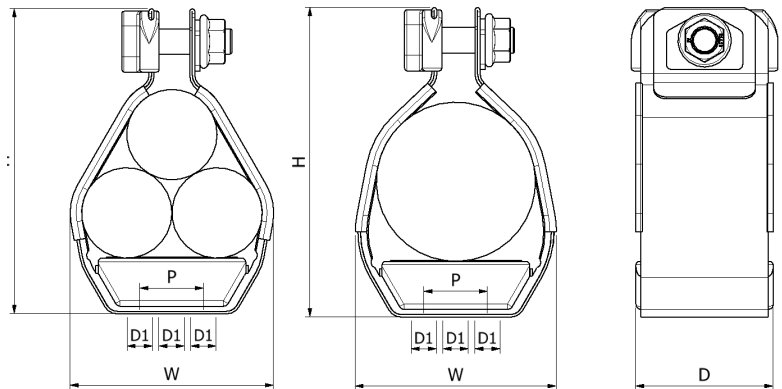
ELLIS

Holding Power

DATA SHEET

VULCAN+™ SINGLE/TREFOIL

- 316L STAINLESS STEEL FRAME AND FIXINGS
- SOFT LSF POLYMERIC LINER PROTECTS CABLE SHEATH
- CAPTIVE CLOSURE FIXINGS FOR FAST INSTALL
- SHORT CIRCUIT AND MECHANICALLY TESTED TO IEC 61914
- ABS AND DNV TYPE APPROVED AND ALSO UL LISTED



| PART NO. | CABLE RANGE TREFOIL | | CABLE RANGE SINGLE | | DIMENSIONS (mm) | | | | | WEIGHT (g) |
|----------|------------------------|--------------------|-----------------------|--------------------|-----------------|-----|----|-----|----------------------|------------|
| | MIN ϕ (mm) | MAX ϕ (mm) | MIN ϕ (mm) | MAX ϕ (mm) | W | H | D | P | FIXING HOLES (D1) | |
| VRT+00B | - | - | 18 | 28 | 64 | 93 | 54 | N/A | 1 x M10 | 280 |
| VRT+00A | 15 | 18 | 26 | 30 | 64 | 93 | 54 | N/A | 1 x M10 | 287 |
| VRT+00 | 19 | 24 | 30 | 42 | 60 | 93 | 54 | N/A | 1 x M10 | 251 |
| VRT+01 | 23 | 28 | 38 | 50 | 63 | 98 | 54 | N/A | 1 x M10 | 258 |
| VRT+02 | 27 | 32 | 43 | 58 | 72 | 106 | 54 | N/A | 1 x M10 | 269 |
| VRT+03 | 30 | 35 | 49 | 64 | 79 | 112 | 54 | N/A | 1 x M10 | 279 |
| VRT+04 | 33 | 38 | 55 | 70 | 85 | 118 | 54 | N/A | 1 x M10 | 284 |
| VRT+05 | 36 | 42 | 58 | 75 | 96 | 125 | 54 | N/A | 1 x M10 | 319 |
| VRT+06 | 40 | 46 | 63 | 84 | 105 | 133 | 54 | N/A | 1 x M10 | 331 |
| VRT+07 | 44 | 50 | 73 | 90 | 112 | 140 | 54 | N/A | 1 x M10 | 391 |
| VRT+08 | 48 | 55 | 83 | 100 | 121 | 149 | 54 | N/A | 1 x M10 | 405 |
| VRT+09 | 51 | 58 | 86 | 104 | 126 | 154 | 54 | N/A | 1 x M10 | 411 |
| VRT+10 | 55 | 62 | 88 | 110 | 134 | 162 | 54 | 50 | 3 x M10 | 442 |
| VRT+11 | 59 | 66 | 90 | 115 | 143 | 170 | 54 | 50 | 3 x M10 | 453 |
| VRT+12 | 63 | 70 | 100 | 125 | 152 | 177 | 54 | 50 | 3 x M10 | 460 |
| VRT+13 | 67 | 74 | 107 | 132 | 161 | 185 | 54 | 75 | 3 x M10 | 524 |
| VRT+14 | 71 | 78 | 120 | 145 | 169 | 192 | 54 | 75 | 3 x M10 | 536 |
| VRT+15 | 74 | 82 | 125 | 150 | 176 | 199 | 54 | 75 | 3 x M10 | 542 |
| VRT+16 | 77 | 85 | 132 | 153 | 183 | 205 | 54 | 75 | 3 x M10 | 544 |
| VRT+17 | 81 | 89 | 136 | 156 | 190 | 216 | 54 | 75 | 3 x M10 | 618 |
| VRT+18 | 85 | 93 | 139 | 159 | 200 | 225 | 54 | 75 | 3 x M10 | 628 |
| VRT+19 | 89 | 97 | 142 | 162 | 200 | 235 | 54 | 75 | 3 x M10 | 637 |
| VRT+20 | 93 | 101 | 160 | 170 | 215 | 240 | 54 | 75 | 3 x M10 | 646 |

ELLIS

Holding Power

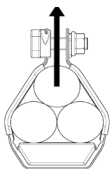
DATA SHEET

VULCAN+™ SINGLE/TREFOIL

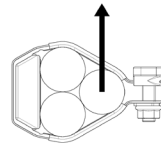
TESTING SUMMARY

Vulcan+ Cleats have been tested in line with the International Standard 'Cable Cleats for Electrical Installations' IEC 61914:2021. Typical results are detailed below, please note that these testing values are maximums and safety factors appropriate to your application should be used:

| PROPERTY | CLASSIFICATION CLAUSE IEC 61914 | UNITS / CLASSIFICATION | TEST DATA |
|---|------------------------------------|--|--|
| CLEAT TYPE | 6.1.3 | COMPOSITE | - |
| TEMP. FOR PERMANENT APPLICATION | 6.2 | °C | -40 - 60 |
| UV RESISTANCE | 6.5.1.2 | XENON ARC METHOD A | PASS |
| CORROSION RESISTANCE | 6.5.2.2 | HIGH | 316L STAINLESS STEEL HAS≥16% CHROMIUM |
| IMPACT RATING | 6.3.4 | VERY HEAVY | PASS |
| FLAME PROPAGATION TEST | 10.0, 10.1 | APPLICATION TIME ≥30s | PASS |
| AXIAL LOAD RATING | 6.4.3, 9.4 | NEWTONS (N) | 280N - TREFOIL 110N - SINGLE |
| LATERAL LOAD RATING | 6.4.2, 9.3 | NEWTONS (N) | HORIZONTAL - 200N VER- TICAL -650N |
| RESISTANCE TO ELECTROMECHANICAL FORCE (SHORT CIRCUIT TESTING) | 6.4, 6.4.5, 9.5 | CLEATS AT 300MM INTERVALS (WITHSTANDING MORE THAN ONE SHORT CIRCUIT) | 134kA (REPORT No. PDL- 18.122.1) CABLE OD= Ø36mm |
| RESISTANCE TO ELECTROMECHANICAL FORCE (SHORT CIRCUIT TESTING) | 6.4, 6.4.5, 9.5 | CLEATS AT 600MM INTERVALS (WITHSTANDING MORE THAN ONE SHORT CIRCUIT) | 115kA (REPORT No. PDL- 16.164.3) CABLE OD= Ø36mm |
| RESISTANCE TO ELECTROMECHANICAL FORCE (SHORT CIRCUIT TESTING) | 6.4, 6.4.5, 9.5 | CLEATS AT 300MM INTERVALS (WITHSTANDING MORE THAN ONE SHORT CIRCUIT) SINGLE FORMATION | 135kA (REPORT No. PDL- 22.079.04) CABLE OD= Ø36mm PHASE SPACING = 125mm |



LATERAL LOAD 'VERTICAL'
DIRECTION



LATERAL LOAD 'HORIZONTAL
DIRECTION'

Listed sizes:
VRT+00 to
VRT+20



Conduit & cable hardware 4CG8 with
AH-2 & wet locations. Listed sizes:
VRT+00 to VRT+18.

LONDON UNDERGROUND
Vulcan+ Cable Cleats are compliant
with the requirements of LUL-1085.
Product register number 361.

ELLIS PATENTS LTD.

www.ellispatents.co.uk

ISSUE 06 11/04/24

2 / 2